

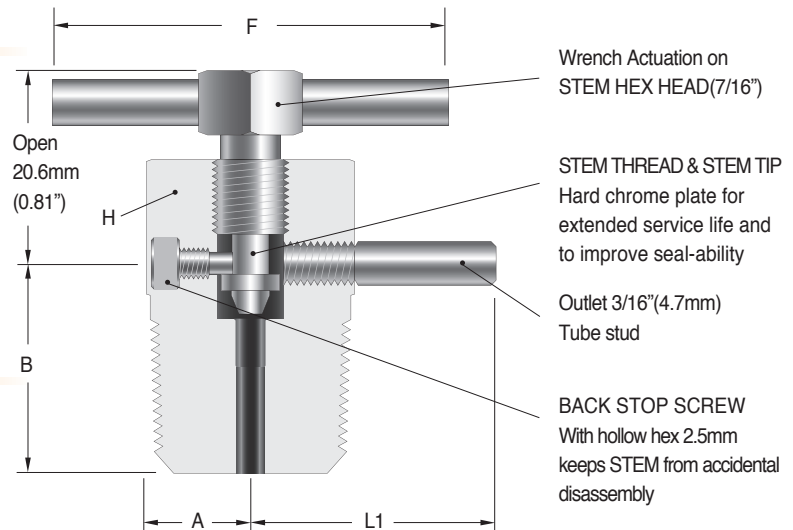
## SBLV Series 10000psi Bleed Valves

### Features

- Pressure rating up to 10,000psi(689bar)@100°F(38°C).
- Back stop screw prevents from the accidental removal of stem.
- Stem is Hard Chrome Plated for maximum service life.
- Size range from 1/8" to 1/2" Tubing and piping system.
- Variety of End connections include S-LOK, NPT & ISO pipe threads Male/ Female

### Applications

- S-LOK bleed valve is designed to use on instrumental fluidhandling apparatus such as manifolds and gauge root valves in order to vent signal line pressure to atmosphere before disassemble of an instrument or to facilitate in calibration of control device.



### Material of construction

Description	Body Materials/ASTM and JIS Spec.		
	S316	Carbon Steel	Alloy 400
Body	S316 A276 or A479	S45C	Monel 400 / B164
Stem		S316 A276 or A479	
Back Stop Screw			
Vent Tube	S316 A213 or A269		Monel 400 / B165

### Technical Data

Material	Temperature Rating	Pressure Rating
S316	-65 to 850°F (-54 to 454°C)	10,000psi(689bar) At 100°F(38°C)
Carbon Steel	-20 to 450°F (-29 to 232°C)	
Alloy 400	-65 to 500°F (-54 to 260°C)	

### Ordering Information

Description	End Connection	Orifice mm. (Cv)	Dimensions inch(mm)				
			A	B	L1	H	F
SBLV-M-2N	1/8" Male NPT	3.2 (0.25)	0.31(7.9)	0.75(19.1)	0.91(23.0)	5/8(15.87)	2.0 (50.8)
SBLV-M-4N	1/4" Male NPT						
SBLV-M-6N	3/8" Male NPT						
SBLV-M-8N	1/2" Male NPT						

• Dimensions are for reference only, subject to change

### Testing

- Every Bleed valve is factory tested with Nitrogen@1,000psig(69bar) for leakage at the seat to a maximum allowable leak rate of 0.1 SSCM.

